

RT850 - Installation Instructions

Electric Heating Solid State Relay

RT850

Application

The RT850 Solid State Relay is designed to control a line voltage resistive load from a 24 VAC control signal or from signal sources of 4 to 32 VDC.

With its unique thermal bridge design, the RT850 allows for efficient heat dissipation and also features an LED indicator for visual confirmation of product switching.

This electronic switching relay provides fast commuting operation; when the RT850 is combined with a short-cycled thermostat (15 seconds), it provides more precise temperature control.

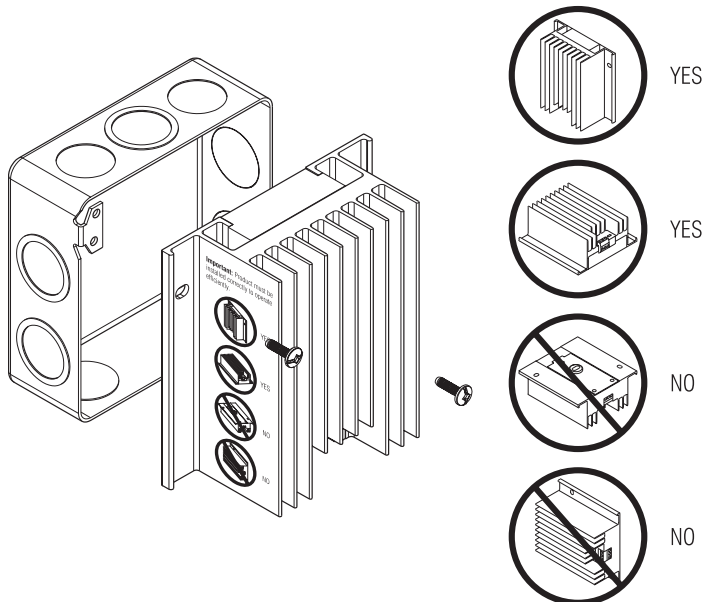
The RT850 is compatible with 3-wire (R,C,W) thermostats as well as 2-wire mechanical and battery-operated thermostats. Main applications include control of electric heating systems.

Installation

The RT850 must be installed in an area where the temperature is between -4°F and 140°F (-20°C and 60°C).

The RT850 must be mounted on a 4 x 4 electrical box as displayed below.

WARNING: The relay must be mounted so the heatsink's fins are vertical or facing upwards. You should also provide an empty space above the heatsink so the warm air can exit the heatsink area. Disregarding this warning may result in improper operation. Refer to diagrams below for correct mounting guidelines.



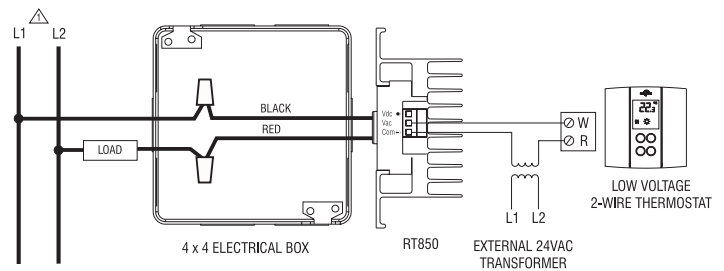
- ▶ All wiring must comply with national and local electrical code regulations.
- ▶ Installation should be carried out by an electrician.
- ▶ Disconnect power supply before installing the relay to prevent electrical shock.

- 1 Wire the relay and connect according to typical wiring diagrams (refer to figures 1 & 2).
- 2 Secure relay to the electrical box using the two mounting holes.

- 3 Once mounting and wiring have been completed, return power to the heating system.
- 4 Increase thermostat temperature in order to activate the relay (LED should be ON). Allow system operation long enough to proof installation.
- 5 Once installation has been proofed, set temperature for normal operation.

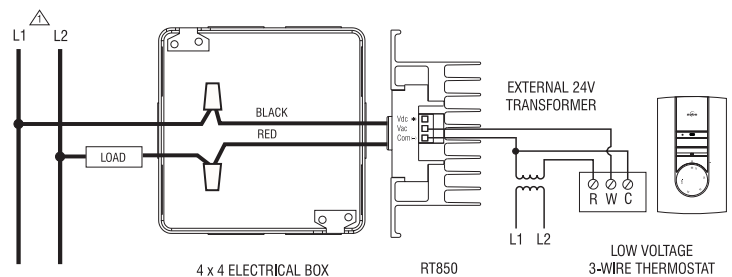
Typical Wiring Diagrams

WARNING: In the following wiring diagrams, the relay is shown sideways for an overview of the terminal board wiring. Refer to installation guidelines for more information on how to position the relay for proper operation.



⚠ You must provide an overload protection and disconnect as required.

Figure 1: Connection to a 2-wire low voltage thermostat using a 24 VAC control signal



⚠ You must provide an overload protection and disconnect as required.

Figure 2: Connection to a 3-wire low voltage thermostat using a 24 VAC control signal

Electrical Specifications

Ensure ratings are suitable for your application.

| | |
|------------------------------|---|
| Voltage (VAC) | 100 to 347 |
| Resistive load (A) | 23 |
| Control signal | Nominal: AC: 24 V / 32 mA DC: 4 to 32 V / 16 mA |
| Guaranteed OFF signal | Voff ≤ 5 VAC / Voff ≤ 2 VDC |

Ambient operating temp.: -4°F to 140°F (-20°C to 60°C)

Ambient storage: -40°F to 175°F (-40°C to 80°C)

Humidity limits: 0 to 95% non-condensing

Net weight: 15.3 oz. (434 g)

Terminal wire size: 12 AWG

Certification: 

Technical Support

If you have any questions concerning the installation of the RT850 relay, call our technical support team at:

Phone: Montreal area: (450) 358-4600
Canada / U.S.: 1-800-831-AUBE (2823)

Fax: (450) 358-4650

Email: service@aubetech.com

Monday to Friday from 8:30 AM to 5:00 PM EST.

For more information on our products, visit us at:
www.aubetech.com

Warranty

AUBE TECHNOLOGIES INC. ONE (1) YEAR LIMITED WARRANTY

This product is guaranteed against workmanship defects for a one year period following the initial date of purchase. During this period, AUBE Technologies Inc. will repair or replace, at our option and without charge, any defective product which has been used under normal conditions. The warranty does not cover delivery costs and does not apply to products poorly installed or randomly damaged following installation. This warranty cancels and replaces any other manufacturer's express or implied warranty as well as any other company commitment. AUBE Technologies Inc. cannot be held liable for related or random damages following the installation of this product. The defective product as well as the purchase invoice must be returned to the place of purchase or mailed, prepaid and insured, to the following address:

Aube Technologies Inc.
705 Montrichard
Saint-Jean-sur-Richelieu, Quebec, Canada J2X 5K8

RT850 Dimensions

